

Elements Video Recorder Installation Guide

November 2022



LenelS2
1212 Pittsford-Victor Road
Pittsford, NY 14534 USA
Tel 866.788.5095 Fax 585.248.9185
Document #DOC-8100-EN-US

© 2022 Carrier. All Rights Reserved. All trademarks are the property of their respective owners.
LenelS2 is a part of Carrier.

Information in this document is subject to change without notice. No part of this document may be reproduced or transmitted in any form or by any means, electronic or mechanical, for any purpose, without the prior express written permission of Carrier Fire & Security Americas Corporation, which such permission may have been granted in a separate agreement (i.e., end user license agreement or software license agreement for the particular application).

The software described in this document is furnished under a license agreement and may only be used in accordance with the terms of that agreement.

Product Disclaimers and Warnings

THESE PRODUCTS ARE INTENDED FOR SALE TO, AND INSTALLATION BY, AN EXPERIENCED SECURITY PROFESSIONAL. LENELS2 CANNOT PROVIDE ANY ASSURANCE THAT ANY PERSON OR ENTITY BUYING ITS PRODUCTS, INCLUDING ANY "AUTHORIZED DEALER", IS PROPERLY TRAINED OR EXPERIENCED TO CORRECTLY INSTALL SECURITY RELATED PRODUCTS.

LENELS2 DOES NOT REPRESENT THAT SOFTWARE, HARDWARE OR RELATED SERVICES MAY NOT BE HACKED, COMPROMISED AND/OR CIRCUMVENTED. LENELS2 DOES NOT WARRANT THAT SOFTWARE, HARDWARE OR RELATED SERVICES WILL WORK PROPERLY IN ALL ENVIRONMENTS AND APPLICATIONS AND DOES NOT WARRANT ANY SOFTWARE, HARDWARE OR RELATED SERVICES AGAINST HARMFUL ELECTROMAGNETIC INTERFERENCE INDUCTION OR RADIATION (EMI, RFI, ETC.) EMITTED FROM EXTERNAL SOURCES. THE ABILITY OF SOFTWARE, HARDWARE AND RELATED SERVICES TO WORK PROPERLY DEPENDS ON A NUMBER OF PRODUCTS AND SERVICES MADE AVAILABLE BY THIRD PARTIES OVER WHICH LENELS2 HAS NO CONTROL INCLUDING, BUT NOT LIMITED TO, INTERNET, CELLULAR AND LANDLINE CONNECTIVITY; MOBILE DEVICE AND RELATED OPERATING SYSTEM COMPATABILITY; OR PROPER INSTALLATION, CONFIGURATION AND MAINTENANCE OF AUTHORIZED HARDWARE AND OTHER SOFTWARE.

LENELS2 MAY MAKE CERTAIN BIOMETRIC CAPABILITIES (E.G., FINGERPRINT, VOICE PRINT, FACIAL RECOGNITION, ETC.), DATA RECORDING CAPABILITIES (E.G., VOICE

RECORDING), AND/OR DATA/INFORMATION RECOGNITION AND TRANSLATION CAPABILITIES AVAILABLE IN PRODUCTS LENECS2 MANUFACTURES AND/OR RESELLS. LENECS2 DOES NOT CONTROL THE CONDITIONS AND METHODS OF USE OF PRODUCTS IT MANUFACTURES AND/OR RESELLS. THE END-USER AND/OR INSTALLER AND/OR RESELLER/DISTRIBUTOR ACT AS CONTROLLER OF THE DATA RESULTING FROM USE OF THESE PRODUCTS, INCLUDING ANY RESULTING PERSONALLY IDENTIFIABLE INFORMATION OR PRIVATE DATA, AND ARE SOLELY RESPONSIBLE TO ENSURE THAT ANY PARTICULAR INSTALLATION AND USE OF PRODUCTS COMPLY WITH ALL APPLICABLE PRIVACY AND OTHER LAWS, INCLUDING ANY REQUIREMENT TO OBTAIN CONSENT. THE CAPABILITY OR USE OF ANY PRODUCTS MANUFACTURED OR SOLD BY LENECS2 TO RECORD CONSENT SHALL NOT BE SUBSTITUTED FOR THE CONTROLLER'S OBLIGATION TO INDEPENDENTLY DETERMINE WHETHER CONSENT IS REQUIRED, NOR SHALL SUCH CAPABILITY OR USE SHIFT ANY OBLIGATION TO OBTAIN ANY REQUIRED CONSENT TO LENECS2.

For more information on warranty disclaimers and product safety information, please check <https://firesecurityproducts.com/en/policy/product-warning> or scan the following code:



Contents

Introduction	5
Where to Go for More Information	5
Installation Notes.....	5
Note to Installers.....	5
CAUTION	6
Disclaimer	6
WEEE Information.....	6
Hardware.....	7
Hardware Specifications	7
Mounting the Enclosure	7
Surface-Mounting the Enclosure.....	8
Rack-Mounting the Enclosure	8
Video Recorder Installation	9
Connect the Recorder	9
Power and Reset	11
Configuration	11
Video Recorder Status.....	12

Introduction

This guide describes the hardware installation for the Elements Video Recorder (EVR), an IP video server that provides video management capabilities—including recording, advanced surveillance, and forensics—for Elements systems.

The following information is included in this guide:

- Hardware specifications ([page 7](#))
- Mounting options ([page 7](#))
- Instructions for connecting power and the network ([page 9](#))
- System status information ([page 12](#))

Note:

Check the LenelS2 web site (welcometoelements.com) for updated specifications, lists of supported devices, and software updates.

Where to Go for More Information

When the hardware installation is complete, refer to the Elements online help for information on managing your cameras.

Installation Notes

Note to Installers

Install according to ANSI/NFPA70 National Electrical Code and local codes, and use only UL listed equipment.

Note:

This equipment is not suitable for use in locations where children are likely to be present.

CAUTION

OBSERVE STATIC ELECTRICITY PRECAUTIONS WHEN HANDLING AND INSTALLING LENEIS2 COMPONENTS. THESE COMPONENTS CAN BE DAMAGED BY STATIC DISCHARGE.

Disclaimer

LenelS2 provides this publication “as is,” without warranty of any kind, either expressed or implied. LenelS2 shall not be liable for errors contained herein or for incidental or consequential damages in connection with the furnishing, performance, or use of this guide.

WEEE Information



2012/19/EU (WEEE directive): Products marked with this symbol cannot be disposed of as unsorted municipal waste in the European Union. For proper recycling, return this product to your local supplier upon the purchase of equivalent new equipment, or dispose of it at designated collection points.

Hardware

Hardware Specifications

The Elements Video Recorder (EVR) is a rack mount, disk-based network appliance.

Chassis dimensions for the recorder

Height	3.5 inches (88.90 millimeters)
Width	19.0 inches (482.60 millimeters)
Depth	14.58 inches (370.33 millimeters)

Specifications for the recorder

Chassis	2U with fixed drives
HDD bays	2
Motherboard	MX110H
Processor	i3
Memory	4 GB
HDD configuration	JBOD
OS drive	SSD
Power input rating	100-240VAC @50-60 Hz, 4-2A

Environmental requirements for the recorder

Operating temperature	50° to 95° F (10° to 35° C)
Storage temperature	-4° to +158° F (-20° to +70° C)
Operating humidity	85%, non-condensing 49° C

Mounting the Enclosure

The Elements Video Recorder enclosure can be surface mounted or rack mounted.

Surface-Mounting the Enclosure

The installation kit includes four rubber feet for placing the enclosure on a tabletop or desktop.

To surface-mount the enclosure:

1. Swab the feet locations (marked on the bottom of the enclosure) with an alcohol wipe.
2. Attach the adhesive-backed feet to the feet locations.
3. Place the unit where it will be used.

Rack-Mounting the Enclosure

The installation kit includes two brackets and six screws for attaching them to the enclosure.

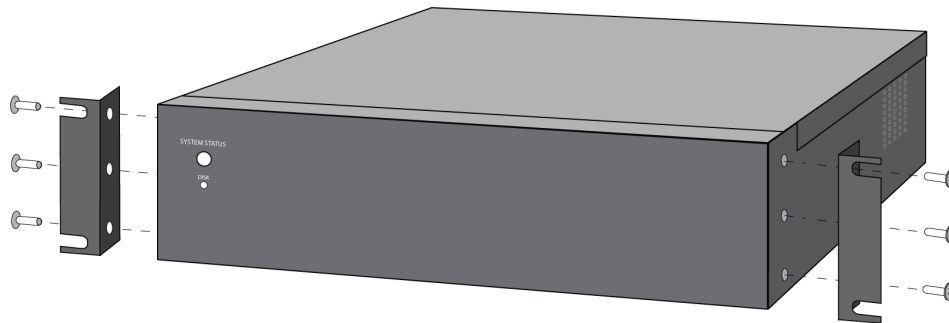


Figure 1. Attaching the rack-mount brackets.

To install the rack-mount enclosure:

1. Remove the three plastic plugs from the screw locations on each side.
2. Use the six provided screws to attach the rack-mount brackets.
3. Install the unit in a standard 19-inch rack.

Video Recorder Installation

Before installing the recorder, make note of its System ID. The System ID is printed on a label affixed to the recorder.

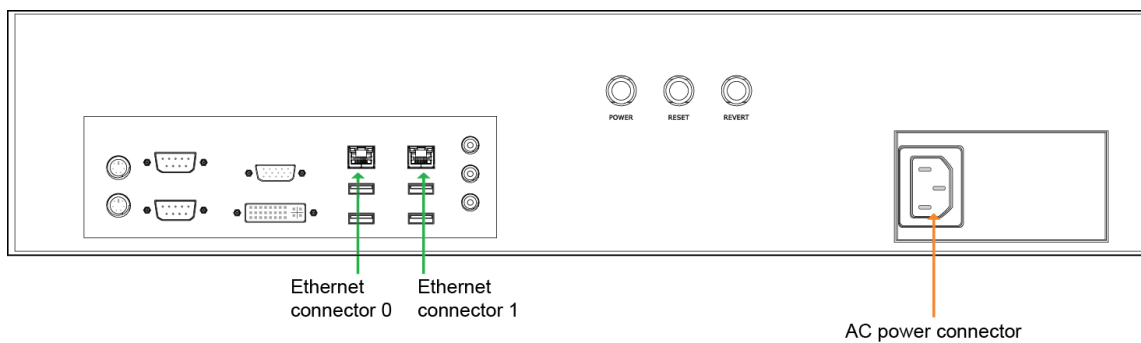


Figure 1. Recorder back panel.

Connect the Recorder

1. Connect the recorder to an internet-accessible network. Use the Ethernet port on the left on the back of the recorder (Ethernet 0). The Ethernet port on the right (Ethernet 1) is not configured and should not be used.

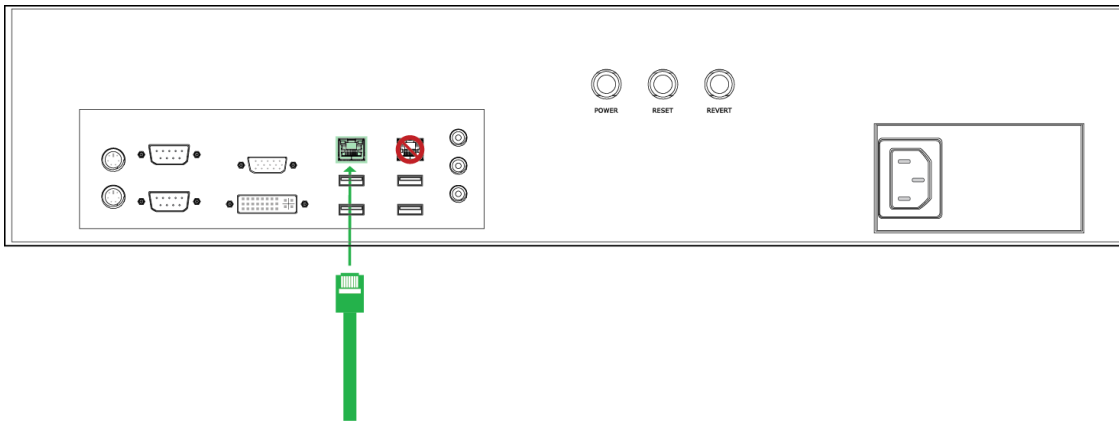


Figure 2. Ethernet connection on recorder back panel

- The recorder depends on the network being configured for DHCP. If a static IP address is needed for the recorder, it must be configured using MAC address mapping on the DHCP server.
 - Proxy configuration is not supported.
2. Connect the recorder to power.

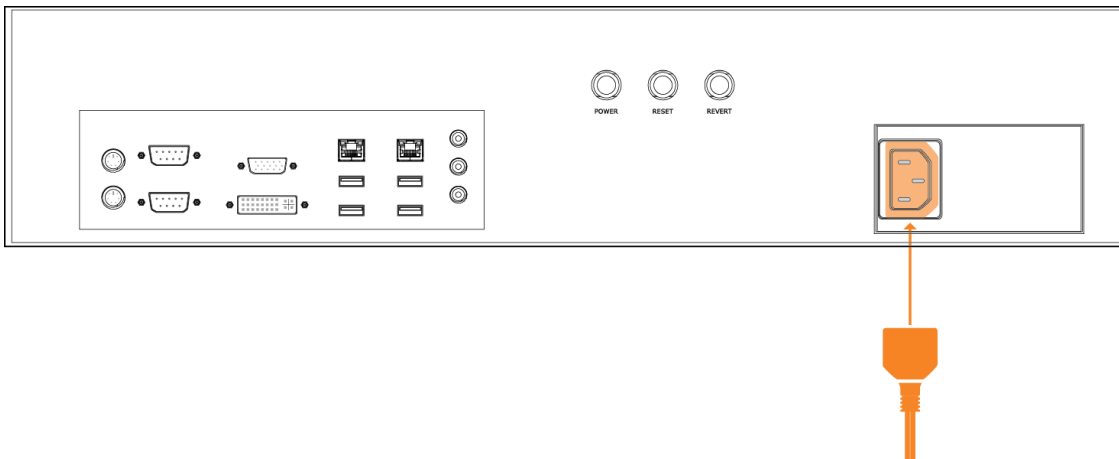


Figure 3. Power connection on recorder back panel

3. Power on the recorder.

**CAUTION:**

Never power down the system by pulling the power cord. Instead, press and hold the power button on the front control panel for three seconds to initiate a system power down.

After being connected and powered on, the recorder communicates over the internet. All connections that the recorder establishes are outbound. The firewall does not need any ports opened for inbound connections.

Power and Reset

The recorder has three buttons on the back panel:

- **Reset** - Press this button to restart the system.
- **Power** - Press this button momentarily to power on the system. When the system is up and running, press this button momentarily to initiate an orderly system shutdown and power down. Hold this button down for three seconds to initiate a hard system shutdown and power down.
- **Revert** - This button is not used.

Configuration

For information on configuring the video recorder, refer to the Elements online help.

Video Recorder Status

A single LED installed in a USB port of the recorder indicates the system status.

Table 4. System Status

LED Behavior	Status
Fast blinking white	Initialization
Fast blinking red	No network connection or IP address
Double blinking red	System registration service unreachable
Blinking yellow	System registration service reachable, not connected to IoT
Alternate blinking red, yellow	Lost connection to IoT Hub
Steady green	Recorder operational
LED off	Recorder powered off

Index

B

back panel 9

system ID 9

system status 12

C

chassis dimensions 7

connect recorder 9

E

enclosure mounting 7

ethernet port 9

H

hardware specifications 7

I

installation 8, 9

installation kit 8

L

LED behavior 12

M

mounting enclosure 7

P

power 10, 11

R

rack mounting the enclosure 8

recorder

 connection 9

 installation 9

reset 11

restart system 11

S

shut down 11

specifications, hardware 7

status 12

surface mounting the enclosure 8