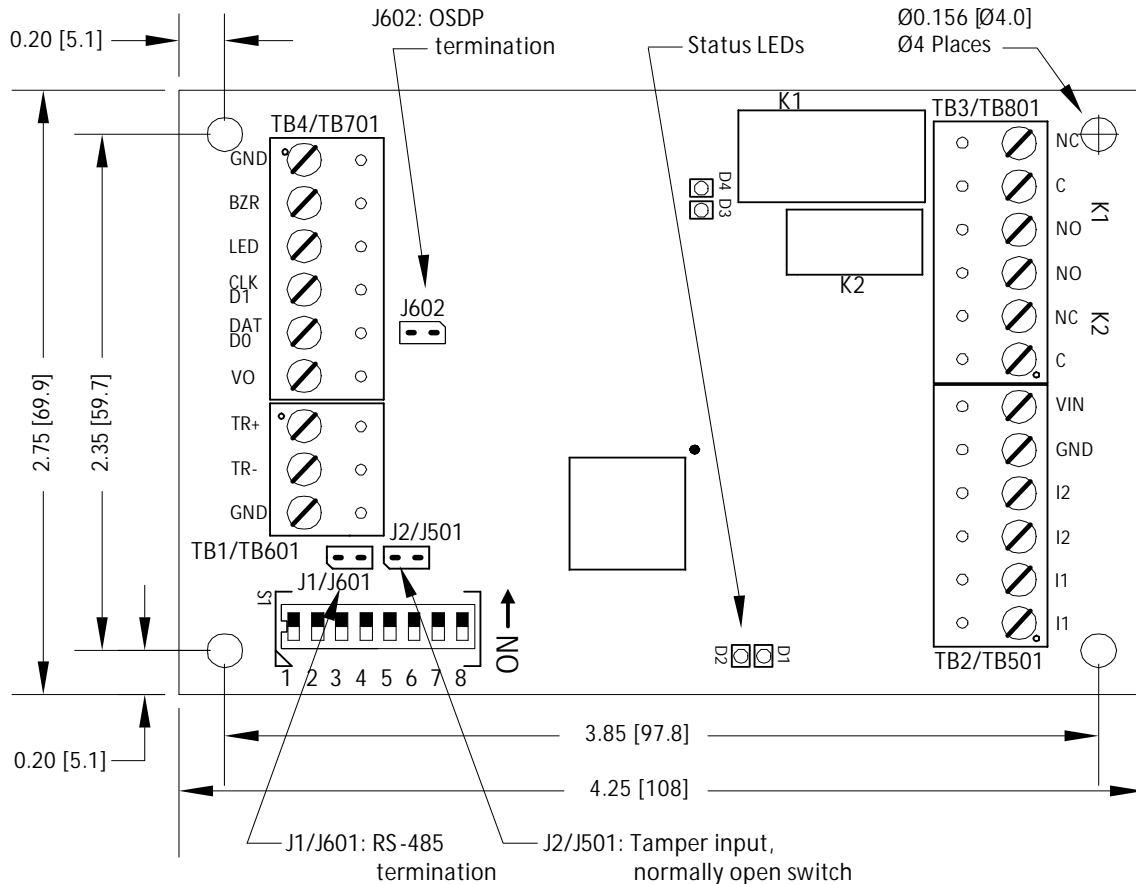


Single Reader Interface Module LNL-1300 Series 3, Quick Reference

General

The LNL-1300 reader interface provides a solution to the host system integrator for interfacing to a TTL (D1/D0, Clock/Data), F/2F or RS-485 device, and door hardware. It also provides a tri-stated LED control and buzzer control. Two (2) Form-C contact relay outputs may be used for strike control or alarm signaling. Two (2) inputs are provided that can be used for monitoring the door contact and request to exit push button. Input circuits can be configured as unsupervised or supervised. Communication to the controller is accomplished via a 2-wire RS-485 interface. The LNL-1300 requires 12 to 24 VDC for power.

LNL-1300 Series 3 Hardware



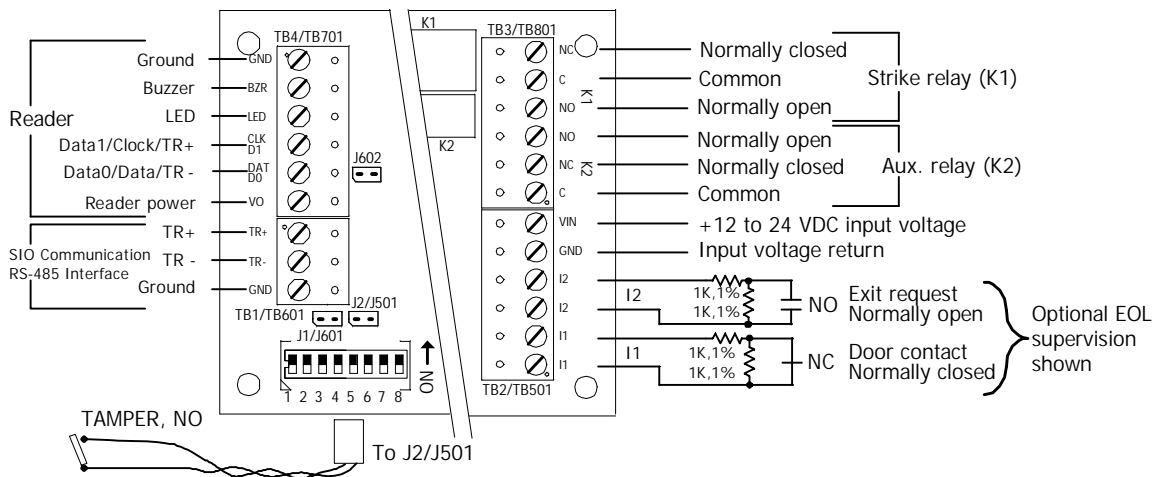
Notes: Older versions of the LNL-1300 Series 3 do not include the OSDP termination jumper J602. Diagrams include jumper and terminal block labels for all versions such as: J1/J601, TB2/TB501.

Supplying Power to the LNL-1300 Series 3

The LNL-1300 requires filtered 12 to 24 VDC \pm 10% for power. Two (2) inputs are typically used for door contact and exit push button monitoring. End of line resistors are required input supervision, shown below.

Note: For UL compliance, only 12 VDC was evaluated.

Note: The input power is passed through to the reader terminal strip and is available for powering a reader. Readers that require different voltage requirements must be powered separately. Care must be taken to insure the input voltage is within the voltage range of the reader. The reader power output terminal, TB4-6/TB701-6 (VO), is not current-limited.



J602 OSDP Termination Jumper

The J602 jumper is located next to the reader port and controls OSDP termination. This jumper should be closed when an OSDP reader is used. When using a non-OSDP reader, the jumper should be open.

Important: Failure to properly set the OSDP termination jumper could cause reader communication issues.

Note: Older versions of the LNL-1300 Series 3 do not include the OSDP termination jumper J602.

Reader Wiring

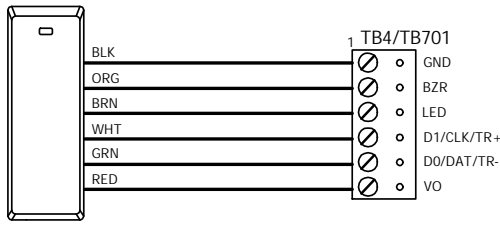
The reader port supports a reader with TTL (D1/D0, Clock/Data), F/2F, or 2-wire RS-485 signaling. (Refer to the reader manufacture specifications for cabling requirements.) In the 2-wire LED mode the buzzer output is used to drive the second LED. Reader port configuration is set via the host software.

Notes: For OSDP cable lengths greater than 200 ft (61 m) or EMF interference close jumper J602.

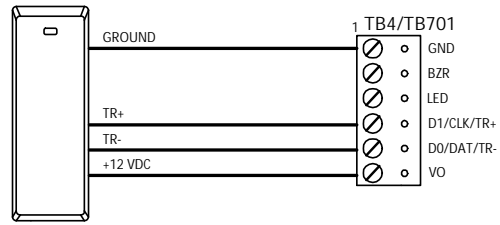
For older versions of the LNL-1300-S3 that do not include jumper J602, install a 120 Ω \pm 2 Ω resistor across RS-485 termination ends.

Data 0 and Data 1 wires for Wiegand may be reused for OSDP. However, standard Wiegand cable may not meet RS-485 twisted pair recommendations. The reuse of cable works best on shorter cable lengths at lower data rates.

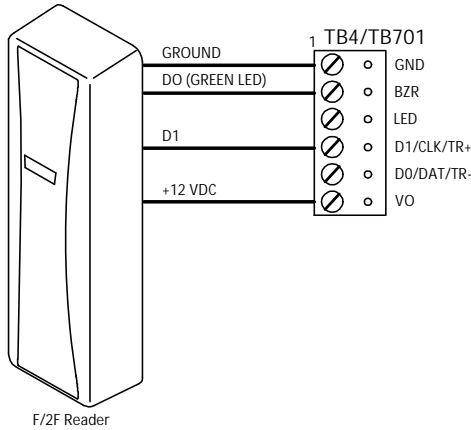
Typical D1/D0 or Clock/Data Reader



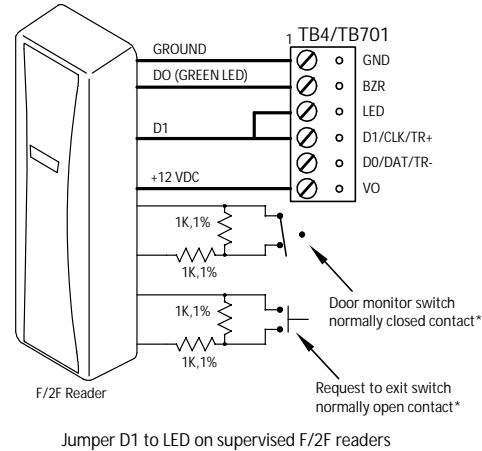
Typical RS-485 Device (such as OSDP Reader)



Typical Unsupervised F/2F Reader



Typical Supervised F/2F Reader

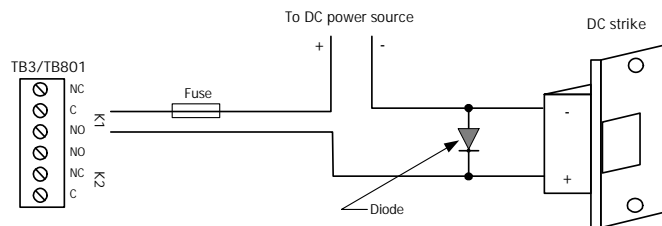


*Inputs on supervised F/2F readers may be unsupervised or supervised (supervised shown).

Door Strike Relay Wiring

Two (2) Form-C contact relays are provided for controlling door strike or other devices. See “[Specifications](#)” on page 7 for the relay contact ratings. Load switching can cause abnormal contact wear and premature contact failure. Switching of inductive loads (strike) also causes EMI (electromagnetic interference) which may interfere with normal operation of other equipment. To minimize premature contact failure and to increase system reliability, a contact protection circuit must be used. The following circuit is recommended. Locate the protection circuit as close to the load as possible (within 12 inches [30 cm]), as the effectiveness of the circuit will decrease if it is located far away.

Typical DC Door Strike Wiring

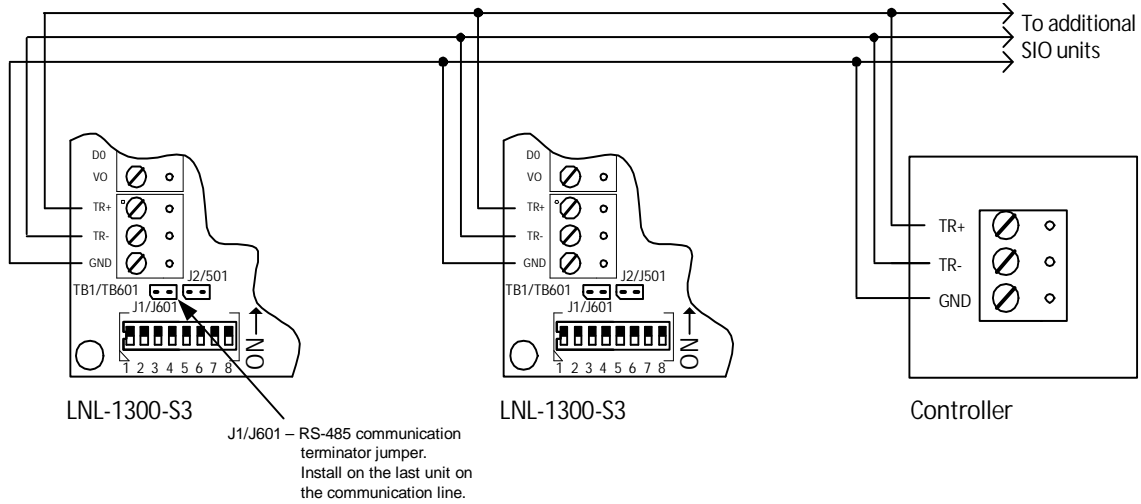


Diode Selection:

- Diode current rating: greater than 1x strike current.
- Diode breakdown voltage: 4x strike voltage.
- For 12 VDC or 24 VDC strike, diode 1N4002 (100V/1A) typical.

Communication Wiring

The LNL-1300 communicates with a LenelS2 intelligent controller (LNL-3300, for example) via a half-duplex, multi-drop 2-wire RS-485 interface. The total cable length is limited to 4000 feet (1219 m). A shielded cable of 24 AWG with characteristic impedance of 120 ohm is specified for the 2-wire RS-485 interface. The last device on each end of the communication line should have the terminator installed (install jumper J1/J601).



Address, Baud Rate, and Encryption Configuration Switch

Switches 1 to 5 select the device address. Switches 6 and 7 select the communication baud rate. Switch 8 enables encrypted communication. All other configuration settings are set via the host software.

Device Address

Address	DIP switch				
	5:	4:	3:	2:	1:
0	off	off	off	off	off
1	off	off	off	off	ON
2	off	off	off	ON	off
3	off	off	off	ON	ON
4	off	off	ON	off	off
5	off	off	ON	off	ON
6	off	off	ON	ON	off
7	off	off	ON	ON	ON
8	off	ON	off	off	off
9	off	ON	off	off	ON
10	off	ON	off	ON	off
11	off	ON	off	ON	ON

Single Reader Interface Module LNL-1300 Series 3 Quick Reference

Address	DIP switch				
	5:	4:	3:	2:	1:
12	off	ON	ON	off	off
13	off	ON	ON	off	ON
14	off	ON	ON	ON	off
15	off	ON	ON	ON	ON
16	ON	off	off	off	off
17	ON	off	off	off	ON
18	ON	off	off	ON	off
19	ON	off	off	ON	ON
20	ON	off	ON	off	off
21	ON	off	ON	off	ON
22	ON	off	ON	ON	off
23	ON	off	ON	ON	ON
24	ON	ON	off	off	off
25	ON	ON	off	off	ON
26	ON	ON	off	ON	off
27	ON	ON	off	ON	ON
28	ON	ON	ON	off	off
29	ON	ON	ON	off	ON
30	ON	ON	ON	ON	off
31	ON	ON	ON	ON	ON

Communication

Baud rate	DIP switch 7:	DIP switch 6:
38,400 bps	ON	ON
19,200 bps	ON	off
9,600 bps	off	ON
115,200 bps (Firmware revisions prior to 1.38.1, this setting is 2,400 BPS.)	off	off

Bus communications	DIP switch 8: (OnGuard 2009 or later)	DIP switch 8: (prior to OnGuard 2009)
Encryption is not required	off	Normal operation
Encryption is required	ON	Not allowed

Status LEDs

Power-up: All LEDs are OFF

Initialization: Once power is applied, initialization of the module begins. The D1 LED is turned ON at the beginning of initialization

Run time: After the above sequence, the LEDs have the following meanings:

LED	Description
D1 LED heartbeat and on- line status	Off-line: 1 sec rate, 20% ON, 80% OFF
	On-line: Non-encrypted communication: 1 sec rate, 80% ON, 20% OFF Encrypted communication: .1 sec ON, .1 sec OFF, .1 sec ON, .1 sec OFF, .1 sec ON, .1 sec OFF, .1 sec ON, .3 sec OFF
D1 LED	Error Indication: Waiting for application firmware to be downloaded: .1 sec ON, .1 sec OFF.
D2 LED	SIO Communication Port Status: Indicates communication activity on the SIO communication port.

Specifications

The LNL-1300 Series 3 is for use in low voltage, Class 2 circuits only. All output circuits are Class2/Power Limited. The installation of this device must comply with all local fire and electrical codes.

Note: Only 12 VDC input was evaluated by UL by connection to the separately UL Listed power supplies.

Primary Power:	12 to 24 VDC \pm 10%, 150 mA maximum (reader current not included)
Outputs:	Two (2) Form-C relays: K1: Normally open (NO) contact: 5 A @ 30 VDC resistive Normally closed (NC) contact: 3 A @ 30 VDC resistive K2: 1 A @ 30 VDC resistive
Inputs:	Two (2) unsupervised/supervised, standard EOL: 1k/1k ohm, 1%, ¼ watt One (1) unsupervised, dedicated for cabinet tamper
Reader Interface:	
Power:	12 to 24 VDC \pm 10% (input voltage (VIN) passed through)
Data Inputs:	TTL compatible, F/2F or 2-wire RS-485
LED Output:	TTL compatible, high > 3 V, low < 0.5 V, 5 mA source/sink maximum
Buzzer Output:	Open collector, 12 VDC open circuit maximum, 40 mA sink maximum
Communication:	2-wire RS-485:9600, 19200, 38400 or 115200 bps
Cable Requirements:	
Power:	1 twisted pair, 18 AWG
RS-485 I/O Devices:	1 twisted pair with drain wire and shield, 24 AWG, 120 ohm impedance, 4000 feet (1219 m) maximum
Alarm Input:	1 twisted pair per input, 30 ohm maximum
Outputs:	As required for the load
Reader data (TTL):	6-conductor, 18 AWG, 500 feet (150 m) maximum
Reader data (F/2F):	4-conductor, 18 AWG, 500 feet (150 m) maximum
Reader data (RS-485):	1 twisted pair with drain wire and shield, 24 AWG, 120 ohm impedance, 2000 feet (610 m) maximum
Mechanical:	
Dimension:	4.25in. (108 mm) W x 2.75 in. (70 mm) L x 1 in. (25.4 mm) H
Weight:	4 oz. (120 g) nominal
Environmental:	
Temperature:	Storage: -55 to +85 °C (-67° to 185° F) Operating: -40 to +70 °C (40° to 158° F)
Humidity:	5 to 95% RHNC

UL 294, 7th edition Performance Levels:

Feature	Level
Standby Power	I
Endurance	IV
Line Security	I
Destructive Attack	I

Note: Outputs are Power limited/class 2 when powered by external power limited/class 2 power supply model LNL-AL400ULX or LNL-AL600ULX-4CB6.

These specifications are subject to change without notice.

Regulatory Information

FCC Compliance

This device complies with part 15 of the FCC Rules. Operation is subject to the following two conditions: (1) This device may not cause harmful interference, and (2) this device must accept any interference received, including interference that may cause undesired operation.

Liability

It is expressly understood and agreed that the interface should only be used to control exits from areas where an alternative method for exit is available. This product is not intended for, nor is rated for operation in life-critical control applications. LenelS2 is not liable under any circumstances for loss or damage caused by or partially caused by the misapplication or malfunction of the product. LenelS2's liability does not extend beyond the purchase price of the product.

Certifications

For certification information, refer to the hardware documentation for the host application.

Product Warnings and Disclaimers

THESE PRODUCTS ARE INTENDED FOR SALE TO, AND INSTALLATION BY, AN EXPERIENCED SECURITY PROFESSIONAL. LENEL S2 CANNOT PROVIDE ANY ASSURANCE THAT ANY PERSON OR ENTITY BUYING ITS PRODUCTS, INCLUDING ANY "AUTHORIZED DEALER", IS PROPERLY TRAINED OR EXPERIENCED TO CORRECTLY INSTALL SECURITY RELATED PRODUCTS.

FOR MORE INFORMATION ON PRODUCT WARNINGS AND DISCLAIMERS, SEE THE "LENEL S2 PRODUCT WARNINGS AND DISCLAIMERS" KNOWLEDGE BASE ARTICLE IN THE LENEL S2 KNOWLEDGE BASE. THIS INFORMATION IS SUBJECT TO CHANGE WITHOUT NOTICE.