

Intelligent Controller LNL-X2210 with Paired Reader Interface for One Physical Barrier Quick Reference

General

The LNL-X2210 intelligent controller provides decision making, event reporting and database storage for the LenelS2 hardware platform. Two reader interfaces configured as paired or alternate readers provide control for one physical barrier.

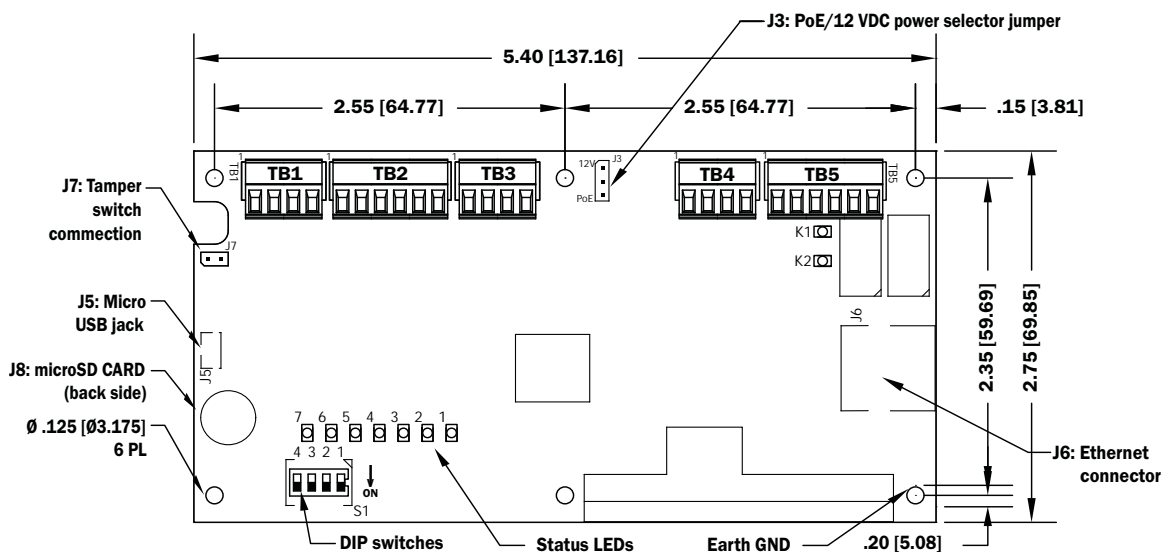
Host communication is via the on-board 10-BaseT/100Base-TX Ethernet port.

Note: For UL compliance, the Power Sourcing Equipment (PSE) such as a PoE or PoE+ enabled network switch and/or PoE or PoE+ power injectors must be UL Listed under UL 294.

Reader port 1 can accommodate a reader that utilizes TTL (D1/D0, Clock/Data), F/2F, or 2-wire RS-485 device signaling (for example an OSDP reader), also provides tri-state LED control, and buzzer control (one wire LED mode only). This port can also utilize multiple 2-wire RS-485 multi-dropped devices, such as up to two OSDP readers or up to eight remote serial I/O devices.

Reader port 2 can accommodate a reader that utilizes TTL (D1/D0, Clock/Data), or F/2F signaling, also provides tri-state LED control, and buzzer control (one wire LED mode only). Two Form-C contact relay outputs may be used for door strike control or alarm signaling. The relay contacts are rated at 2 A @ 30 VDC, dry contact configuration. Two inputs are provided that may be used for monitoring the door contact, exit push button or alarm contact. Input circuits can be configured as unsupervised or supervised. The LNL-X2210 requires Power over Ethernet (PoE or PoE+) or 12 VDC for power. The LNL-X2210 may be mounted in a 3-gang switch box; a mounting plate is supplied with the unit, or may be mounted in an enclosure; the supplied mounting plate has mounting holes that match the LNL-1300 mounting footprint.

LNL-X2210 Hardware



LNL-X2210 Wiring

LNL-X2210 CONNECTIONS		
TB1-1	IN1	Input 1
TB1-2	IN1	
TB1-3	IN2	Input 2
TB1-4	IN2	
TB2-1	VO	Reader 1 Power Output – 12 VDC
TB2-2	LED	Reader 1 LED Output
TB2-3	BZR	Reader 1 Buzzer Output
TB2-4	CLK	Reader 1 CLK/Data 1/TR+ (B) *
TB2-5	DAT	Reader 1 DAT/Data 0/TR- (A) *
TB2-6	GND	Reader 1 Ground
TB3-1	LED	Reader 2 LED Output
TB3-2	BZR	Reader 2 Buzzer Output
TB3-3	CLK	Reader 2 CLK/Data 1 Input
TB3-4	DAT	Reader 2 DAT/Data 0 Input
TB4-1	VO	Auxiliary Power Output – 12 VDC
TB4-2	GND	Auxiliary Power Output Ground
TB4-3	VIN	Input Power – 12 VDC (from local power supply)
TB4-4	GND	Input Power Ground
TB5-1	NO	Relay K1 – Normally Open Contact
TB5-2	1-C	Relay K1 – Common Contact
TB5-3	NC	Relay K1 – Normally Closed Contact
TB5-4	NO	Relay K2 – Normally Open Contact
TB5-5	2-C	Relay K2 – Common Contact
TB5-6	NC	Relay K2 – Normally Closed Contact

*Terms A & B are from the RS-485 standard.

Jumpers

Jumper	Set	Description
J1	N/A	Factory Use Only
J2	N/A	
J3	PoE	LNL-X2210 powered from the Ethernet connection
	12V	LNL-X2210 powered from an local 12 VDC power source connected to TB4-3 (VIN), TB4-4 (GND)
J4	N/A	Factory Use Only
J5	N/A	Micro USB port (2.0)
J6	N/A	10-Base-T/100Base-TX Ethernet Connection
J7		Cabinet Tamper Switch Input: short = tamper secure
J8	N/A	microSD Card

DIP Switches

The four switches on S1 DIP switch configure the operating mode of the LNL-X2210 processor. DIP switches are read on power-up except where noted.

1	2	3	4	Definition
OFF	OFF	OFF	OFF	Normal operating mode.
ON	X	X	X	After initialization, enable default User Name (admin) and Password (password). The switch is read on the fly, no need to re-boot. For more information, refer to IT Security on page 8.
OFF	ON	X	OFF	Use factory default communication parameters.
ON	ON	X	OFF	Use LenelS2 default communication parameters. Contact system manufacturer for details. See Bulk Erase Configuration Memory on page 3.
ON	ON	OFF	OFF	Bulk Erase prompt mode at power up. See Bulk Erase Configuration Memory on page 3.
X	X	X	ON	Makes the LNL-X2210 report and function like an LNL-2210. To be used in situations where the host software has not been updated to support the LNL-X series product line.

X = ON or OFF. All other switch settings are unassigned and reserved for future use.

Factory Default Communication Parameters

Interface 1 (NIC1)

- Network: static IP address: 192.168.0.251
- Subnet Mask: 255.255.0.0
- Default Gateway: 192.168.0.1
- DNS Server: 192.168.0.1
- Primary Host port: IP server, Data Security: TLS if Available, port 3001, communication address: 0
- Alternate Host Port: Disabled

Bulk Erase Configuration Memory

The bulk erase function can be used for the following purposes:

- Erase all configuration and cardholder database (sanitize board)
- Update OEM default parameters after OEM code has been changed
- Recover from database corruption causing LNL-X2210 board to continuously reboot

If clearing the memory does not correct the initialization problem, contact LenelS2 OnGuard Technical Support.

Bulk Erase Steps

Important: Do not remove power during steps 1-6.

1. Set S1 DIP switches to: 1 & 2 "ON," 3 & 4 "OFF."
2. Apply power to the LNL-X2210 board. LED 1 on for about 15 seconds while LNL-X2210 boots up.
3. After the LNL-X2210 boots up, watch for LEDs 1 & 2 and 3 & 4 to alternately flash at a 0.5 second rate.
4. Within 10 seconds after the above pattern starts, change switches 1 or 2 to "OFF." If these switches are not changed, the LNL-X2210 board will power up using the OEM default communication parameters.
5. LED 2 will flash indicating that the configuration memory is being erased. Full memory erase takes up to 60 seconds, usually a lot less.
When complete, only LEDs 1 & 4 will flash for about 3 seconds.

6. The LNL-X2210 board will complete its initialization in 2 seconds after LEDs 1 & 4 stop flashing.

Input Power

The LNL-X2210 is powered by one of two ways (jumper selected, J3):

- Power is supplied via the Ethernet connection using PoE or PoE+
- Or local 12 VDC power supply, TB4-3 (VIN), TB4-4 (GND)

Communication Wiring

The LNL-X2210 controller communicates to the host via the on-board 10-BaseT/100Base-TX Ethernet interface.

Reader/Serial I/O Device Wiring

Reader port 1 supports TTL (D1/D0, Clock/Data), F/2F, or 2-wire RS-485 device(s). Reader port 2 supports TTL (D1/D0, Clock/Data), or F/2F. Power to reader port 1 is 12 VDC at 300 mA maximum. The reader connected to reader port 2 may be powered from the 12 VDC auxiliary power supply output; TB4-1 and TB4-2. Readers that require different voltage or have high current requirements should be powered separately. Refer to the reader manufacturer's specifications for cabling requirements. In the 2-wire LED mode, the buzzer output is used to drive the second LED. Reader port configuration is set via the host software.

Reader port 1 can support up to eight 2-wire RS-485 remote serial I/O devices using MSP1 protocol or up to two OSDP devices. If two OSDP devices are used, reader port 2 will not support a third reader. If only one OSDP device is configured, then reader port 2 is available for a second reader. The maximum cable length is 2000 ft. (610 m). Do not terminate any RS-485 devices connected to reader port 1.

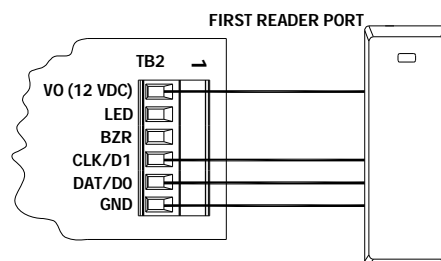
Notes: For OSDP cable lengths greater than 200 ft (61 m) or EMF interference, install $120\Omega \pm 2\Omega$ resistor across RS-485 termination ends.

Data 0 and Data 1 wires for Wiegand may be reused for OSDP. However, standard Wiegand cable may not meet RS-485 twisted pair recommendations. The reuse of cable works best on shorter cable lengths at lower data rates.

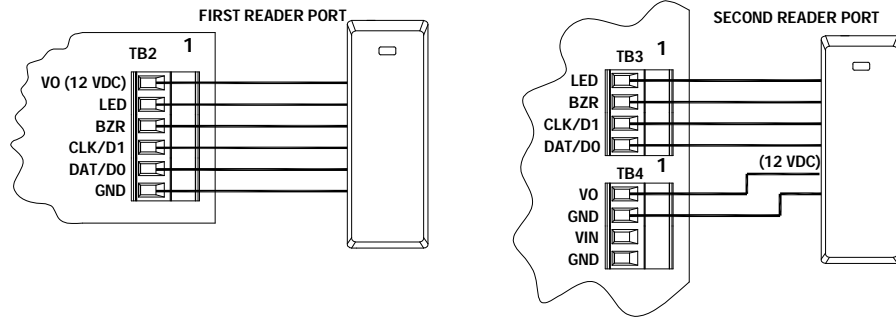
Important: When powering remote device(s) from the LNL-X2210, be cautious not to exceed the maximum current limit. Cable gauge must also be evaluated. See specifications section for details.

Reader Wiring Diagrams

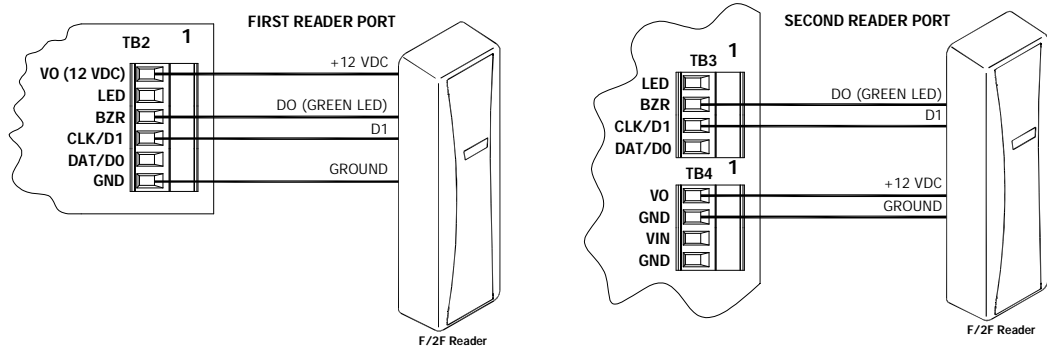
Typical Reader (OSDP Installation)



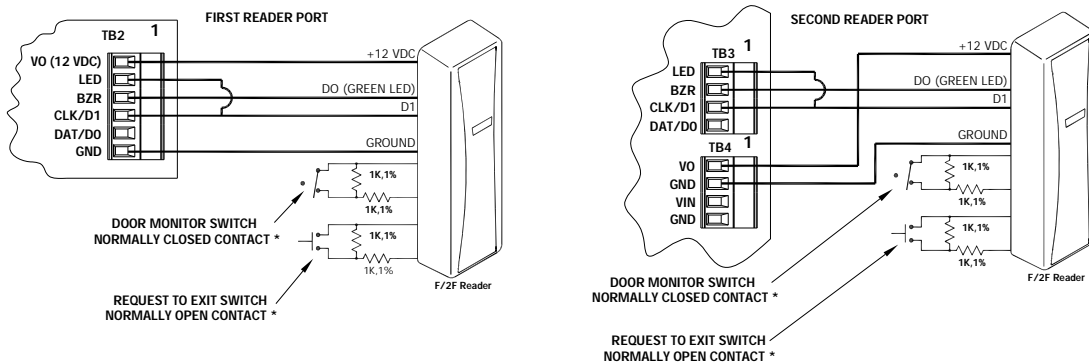
Typical D1/D0 or Clock/Data Reader Ports 1 and 2



Typical Unsupervised F/2F Reader Ports 1 and 2



Typical Supervised F/2F Reader Ports 1 and 2

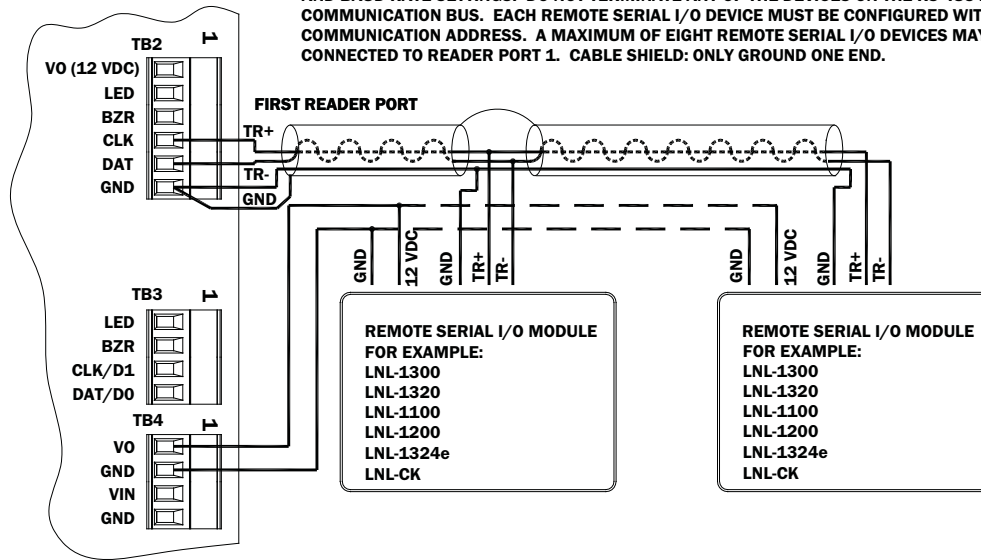


* Inputs on supervised F/2F readers may be unsupervised or supervised (supervised shown).

Note: Jumper: Connect D1 and LED on supervised F/2F reader.

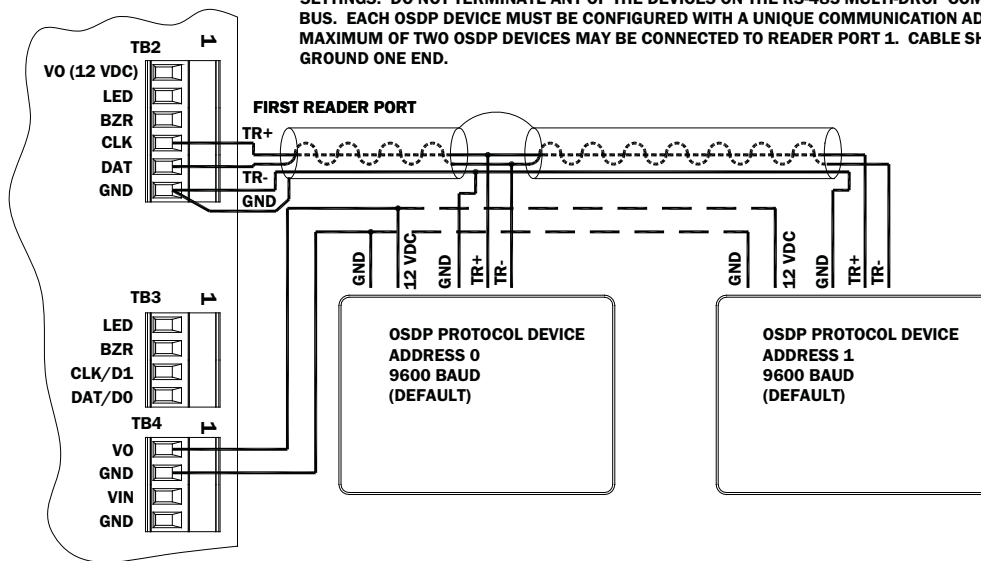
Reader Port 1 Remote Serial I/O Devices using MSP1 Protocol (2-Wire RS-485)

REFER TO THE APPROPRIATE REMOTE SERIAL I/O DEVICE INSTALLATION MANUAL FOR ADDRESS AND BAUD RATE SETTINGS. DO NOT TERMINATE ANY OF THE DEVICES ON THE RS-485 MULTI-DROP COMMUNICATION BUS. EACH REMOTE SERIAL I/O DEVICE MUST BE CONFIGURED WITH A UNIQUE COMMUNICATION ADDRESS. A MAXIMUM OF EIGHT REMOTE SERIAL I/O DEVICES MAY BE CONNECTED TO READER PORT 1. CABLE SHIELD: ONLY GROUND ONE END.



Reader Port 1 OSDP Protocol Devices (2-Wire RS-485)

REFER TO THE APPROPRIATE OSDP DEVICE INSTALLATION MANUAL FOR ADDRESS AND BAUD RATE SETTINGS. DO NOT TERMINATE ANY OF THE DEVICES ON THE RS-485 MULTI-DROP COMMUNICATION BUS. EACH OSDP DEVICE MUST BE CONFIGURED WITH A UNIQUE COMMUNICATION ADDRESS. A MAXIMUM OF TWO OSDP DEVICES MAY BE CONNECTED TO READER PORT 1. CABLE SHIELD: ONLY GROUND ONE END.

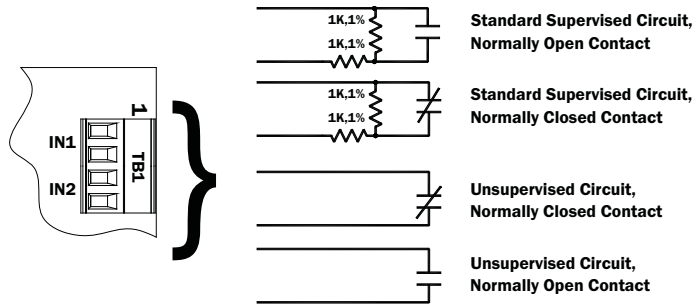


Input Circuit Wiring

Typically, these inputs are used to monitor door position, request to exit, or alarm contacts. Input circuits can be configured as unsupervised or supervised. When unsupervised, reporting consists of only the open or closed states. When configured as supervised, the input circuit will report not only open and closed, but also open circuit, shorted, grounded*, and foreign voltage*. A supervised input circuit requires two resistors be added to the circuit to facilitate proper reporting. The standard supervised circuit requires 1k ohm, 1% resistors and should be located as close to the sensor as possible. Custom end of line (EOL) resistances may be configured via the host software.

* Grounded and foreign voltage states are not a requirement of UL 294 and therefore not verified by UL.

The input circuit wiring configurations shown are supported but may not be typical:



Relay Circuit Wiring

Two Form-C contact relays are provided for controlling door lock mechanisms or alarm signaling devices. The relay contacts are rated at 2 A @ 30 VDC, dry contact configuration. Each relay has a Common pole (C), a Normally Open pole (NO) and a Normally Closed pole (NC). When you are controlling the delivery of power to the door strike, the Normally Open and Common poles are used. When momentarily removing power to unlock the door, as with a magnetic lock, the Normally Closed and Common poles are used. Check with local building codes for proper egress door installation.

Door lock mechanisms can generate EMF feedback to the relay circuit that can cause damage and premature failure of the relay plus affect the operation of the LNL-X2210. For this reason, it is recommended that either a diode or MOV (metal oxide varistor) be used to protect the relay. Wire should be of sufficient gauge to avoid voltage loss.

CAUTION

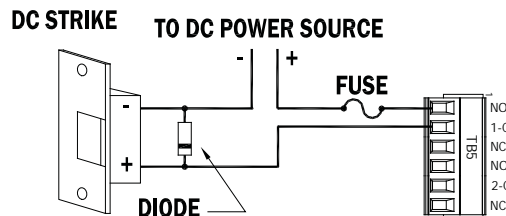
From the Auxiliary output, the LNL-X2210 can provide 12 VDC power for external devices provided that the maximum current is not exceeded. See the specifications section for details. If a local power supply is used, it must be UL Listed Class 2 rated.

PRÉCAUTION

Depuis la sortie auxiliaire, le LNL-X2210 peut fournir une alimentation 12 Vcc aux équipements externe pourvu que le courant maximum n'est pas dépassé. Se référer à la section sur les spécifications pour plus de détails. Si une alimentation locale est utilisée, elle doit être homologué UL de classe 2.

Diode Selection

Diode current rating: 1x strike current. Diode breakdown voltage: 4x strike voltage. For 12 VDC or 24 VDC strike, diode 1N4002 (100V/1A) typical.



Memory Backup Battery

The SRAM is backed up by a rechargeable battery when input power is removed. This battery should retain the data for a minimum of 3 days. If data in the SRAM is determined to be corrupt after power up, all data, including flash memory, is considered invalid and is erased. All configuration data must be re-downloaded.

Note: The initial charge of the battery may take up to 48 hours to be fully charged.

IT Security

When installing the LNL-X2210, it is important to ensure that it is done in a secure manner.

Upon installation, the user accounts to the web configuration page should be created with secure passwords, and that all DIP switches are in the off position for the normal operating mode. The LNL-X2210 is shipped from the factory with a default login account, which is enabled when DIP 1 is moved from OFF to ON. The default login user name and password will be available for five minutes once enabled. Therefore, it is important that at least one user account is defined, and the DIP switches are set to OFF before the LNL-X2210 is commissioned. It is also highly recommended not to configure the LNL-X2210 with an IP address that is accessible from the public Internet.

To further enhance network security, options are available to disable SNMP, Zeroconf discovery, as well as the web configuration module itself. Additionally, data encryption can be enabled over the host communication port.

Status LEDs

Power-up: All LEDs OFF.

Initialization: After power is applied, LED 1 is ON for about 15 seconds, then LEDs 2 through 7 are flashed once at the beginning of initialization.

LEDs 5, 6 and 7 are turned ON for approximately 1 second after the hardware initialization has completed, then the application code is initialized. The amount of time the application takes to initialize depends on the size of the database, about 1 second without a card database. Each 10,000 cards adds about 2 seconds to the application initialization.

When LEDs 1 through 4 flash at the same time, data is being read from or written to flash memory; do not cycle power when in this state.

If the sequence stops or repeats, perform [“Bulk Erase Steps”](#) on page 3.

If clearing the memory does not correct the initialization problem, contact LenelS2 OnGuard Technical Support.

Running: After initialization is complete, the LEDs have the following meanings:

LED	Description
1	Off-Line / On-Line: Off-Line = 20% ON, On-Line = 80% ON
2	Host Communication Activity
3	Readers (combined): Clock/Data or D1/D0 Mode = Flashes when Data is Received, Either Input. RS-485 Mode = Flashes when Transmitting Data F/2F Mode = Flashes when Data/Acknowledgment is Received
4	Input IN1 Status: OFF = Inactive, ON = Active, Flash = Fault *
5	Input IN2 Status: OFF = Inactive, ON = Active, Flash = Fault *
6	Cabinet Tamper
7	Reserved for Future Use
D9	Relay K1: ON = Energized
D10	Relay K2: ON = Energized
YEL	Ethernet Speed: OFF = 10 Mb/S, ON = 100 Mb/S
GR	OFF = No Link, ON = Good Link, Flashing = Ethernet Activity

*If this input is defined, every three seconds the LED is pulsed to its opposite state for 0.1 seconds, otherwise, the LED is off.

Specifications

The interface is for use in low voltage, Class 2 circuits only.

The installation of this device must comply with all local fire and electrical codes.

Primary Power:	PoE (12.95 W), compliant to IEEE 802.3af or PoE+ (25 W), compliant to IEEE 802.3at or 12 VDC ± 10%, 1.8 A maximum provided by a UL 294 or UL 603, power-limited power supply with appropriate ratings
Power Output:	PoE: 12 VDC @ 625 mA including reader and Auxiliary Power output *
Power Output:	PoE+ or external 12 VDC: 12 VDC @ 1.25 A including reader and Auxiliary Power output *
Micro USB Port:	5 VDC maximum (deduct 270 mA from reader and Auxiliary Power output)

* Excluding micro USB port

CAUTION PoE power is to be supplied by an Access Control System Unit (ALVY), power limited, PoE+ injector or PoE+ Ethernet switch providing 42.5 – 57 VDC, 25.5W for maximum output.

PRÉCAUTION L'alimentation PoE doit être fournie par une unité de système de contrôle d'accès (ALVY), limitée en puissance, interrupteur injecteur PoE+ ou PoE+ Ethernet fournissant une sortie maximale entre 42,5 et 57 Vcc, 25,5 W.

SRAM Backup Battery:	Rechargeable battery
microSD Card	Format: microSD or microSDHC; 2GB to 8GB.
Host Communication:	Ethernet: 10-BaseT/100Base-TX and Micro USB port (2.0) with optional adapter: pluggable model USB2-OTGE100

Inputs:	Two unsupervised/supervised, Programmable End of Line resistors, 1k/1k ohm, 1%, ¼ watt standard One unsupervised input dedicated for cabinet tamper
Outputs:	Two relays: Form-C contacts: 2 A @ 30 VDC, resistive
Reader Interface:	
Power:	12 VDC ± 10%: PoE, PoE+ or local power supply, 300 mA maximum
Data Inputs:	Reader port 1: TTL compatible, F/2F or 2-wire RS-485 Reader port 2: TTL compatible or F/2F
LED Output:	TTL compatible, high > 3 V, low < 0.5 V, 5 mA source/sink maximum
Buzzer Output:	Open collector, 12 VDC open circuit maximum, 40 mA sink maximum
Cable Requirements:	
Power:	1 twisted pair, 18 AWG (when using local 12 VDC power supply)
Ethernet:	CAT-5, minimum
Reader data (TTL):	6-conductor, 18 AWG, 500 ft. (152 m) maximum
Reader data (F/2F):	4-conductor, 18 AWG, 500 ft. (152 m) maximum
Reader data (RS-485):	1 twisted pair, shielded. 24 AWG, 120 ohm impedance, 2000 ft. (610 m) maximum
Alarm Input:	1 twisted pair per input, 30 ohm maximum
Outputs:	As required for the load
Environmental:	
Temperature:	Storage: -55 to +85 °C (-67° to 185° F) Operating: 0 to +70 °C (32° to 158° F)
Humidity:	5 to 95% RHNC
Mechanical:	
Dimension:	5.5 in. (140 mm) W x 2.75 in. (70 mm) L x 0.96 in. (24 mm) H without bracket 5.5 in. (140 mm) W x 3.63 in. (92 mm) L x 1.33 in. (34 mm) H with bracket
Weight:	3.6 oz. (103 g) without bracket 4.43 oz. (125.5 g) with bracket

UL 294, 7th edition Performance Levels:

Feature	Level
Standby Power	I
Endurance	IV
Line Security	I
Destructive Attack	I

Note: Outputs are Power limited/class 2 when powered by external power limited/class 2 power supply model LNL-AL400ULX or LNL-AL600ULX-4CB6.

These specifications are subject to change without notice.

UL Listed Installations

- PoE is only for use with Access control-only installations and not for use with burglar installations.

- For access control-only installations using DC power, power shall be provided by a UL 294 or UL 603, class 2 power supply with appropriate ratings.
- For burglar alarm installations, backup power is not provided. A UL 603 listed, class 2 power supply with appropriate ratings shall be used that provides a minimum four hours of standby power after notification of loss of AC power.
- Locations and wiring methods shall be in accordance with the National Electrical Code, ANSI/NFPA 70.

For UL installations, the following must be observed:

- PoE power is to be supplied by an Access Control System Unit (ALVY), power limited, PoE injector (PSE) providing 44-57VDC and 15W for maximum output, and PoE+ injector (PSE) providing 42.5 – 57 VDC, 25.5W for maximum output).
- This product is not intended for outside wiring as covered by Article 800 in the National Electrical Code, NFPA 70.
- Category 5e cabling is the minimum performance category recommended.
- The minimum conductor gauge permitted to connect between the PSE or power injector and the PD shall be 26 AWG (0.13 mm²) for patch cords; 24 AWG (0.21 mm²) for horizontal or riser cable.
- Connected through standard eight-pin RJ-45 connectors.
- Compliance with IEEE 802.3 (at or af) specifications was not verified as part of UL 294.

Firmware Revision

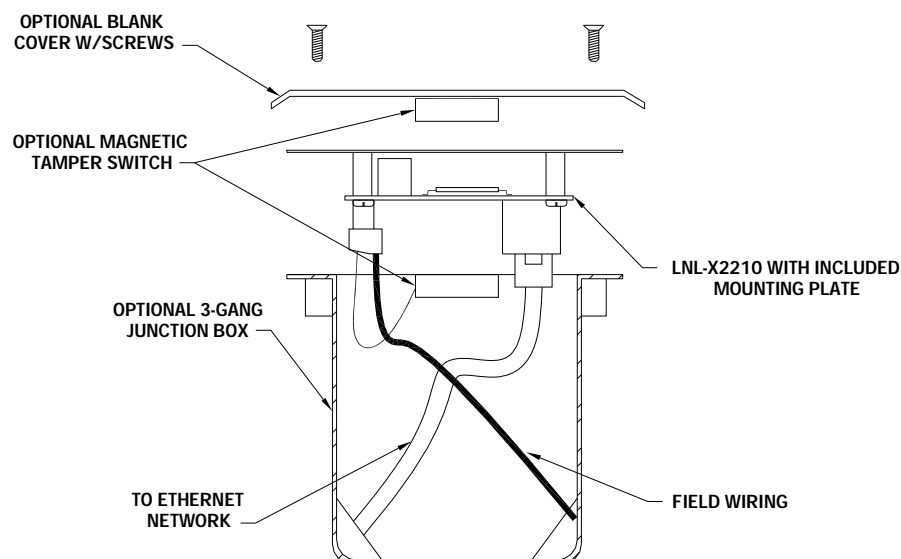
In Alarm Monitoring, the firmware revision can be displayed in the System Status Tree by selecting **Display Device Firmware Version** from the **Options** menu.

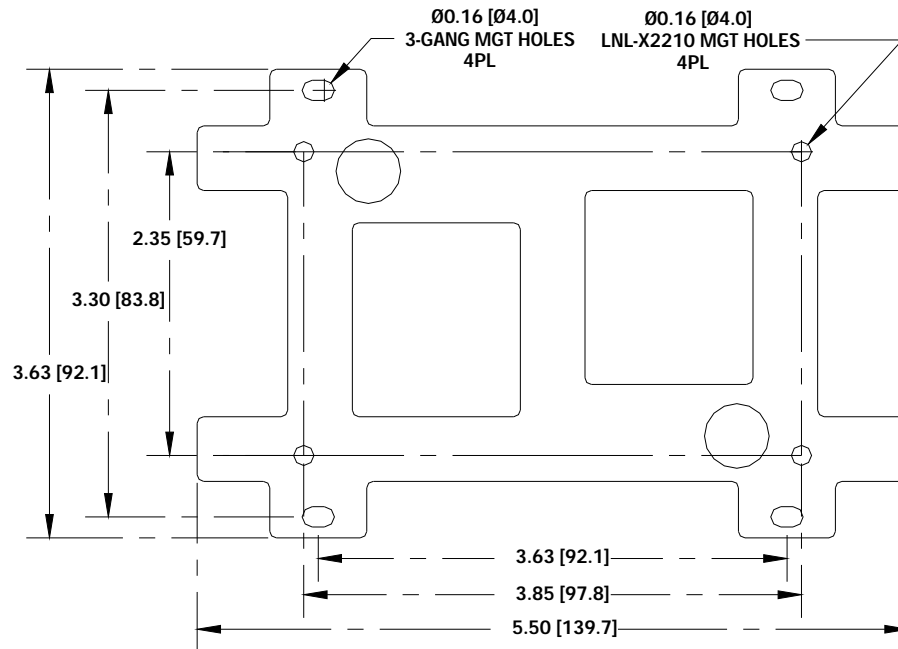
In the Controller Web Page, select **Device Info**. For more information, refer to the Controller Web Page Configuration chapter in the Hardware Installation Guide (DOC-600).

Additional Mounting Information

Sources for the optional items:

- 3-gang stainless steel blank cover. Available from: Leviton: part number 84033-40
Graybar: part number 88158404
- Magnetic switch set: G.R.I. part number: 505





Regulatory Information

FCC Compliance

This device complies with part 15 of the FCC Rules. Operation is subject to the following two conditions: (1) This device may not cause harmful interference, and (2) this device must accept any interference received, including interference that may cause undesired operation.

Liability

It is expressly understood and agreed that the interface should only be used to control exits from areas where an alternative method for exit is available. This product is not intended for, nor is rated for operation in life-critical control applications. LenelS2 is not liable under any circumstances for loss or damage caused by or partially caused by the misapplication or malfunction of the product. LenelS2's liability does not extend beyond the purchase price of the product.

Certifications

For certification information, refer to the hardware documentation for the host application.

Product Warnings and Disclaimers

THESE PRODUCTS ARE INTENDED FOR SALE TO, AND INSTALLATION BY, AN EXPERIENCED SECURITY PROFESSIONAL. LENEL S2 CANNOT PROVIDE ANY ASSURANCE THAT ANY PERSON OR ENTITY BUYING ITS PRODUCTS, INCLUDING ANY "AUTHORIZED DEALER", IS PROPERLY TRAINED OR EXPERIENCED TO CORRECTLY INSTALL SECURITY RELATED PRODUCTS.

For more information on warranty disclaimers and product safety information, please check <https://firesecurityproducts.com/en/policy/product-warning> or scan the following code:

